



TEXTILE SUN PROTECTION



MECHANICAL
DRIVE SOLUTIONS

GEIGER
ANTRIEBSTECHNIK

Awning crank system with spherical hook and plastic eyelet

Application: **all drives with eyelet**

The patented hand-crank system with spherical hook and plastic eyelet allows a smooth and quiet running. The crank handle can be attached and removed easily. No abrasion is generated with the plastic eyelet which was sprayed in a multi-component process and the nickel-plated spherical hook. The traditional oval eyelet in older gears can easily be replaced by a spherical hook system.



High-quality GEIGER bevel gear 412F5.. with 4.4:1 reduction ratio

with pluggable drive shaft, externally adjustable end stop, free wheel and spindle

Advantages:

- Externally adjustable end stop (setting at the desired point)
- Gear with free wheel, which means there is no risk of incorrect operation
- Various pluggable drive shafts available
- Suitable for 78 mm (75.5 mm) or 85 mm (82.5 mm) roller tubes
- Low storage requirement with interchangeable extensions and eyelets



Installation:

Fully extend the awning before carrying out the installation. The operating side is easy to identify, as the fixation screw (hexagon socket 4 mm) must be visible to the user.

End stop:

The end stop can be corrected as follows: Loosen the fixation screw by one full turn with the awning fully extended and crank the awning to the desired end point - tighten the screw again. That's all.

In modern design and with one-piece bearing - the awning gear 418F5.

The robust gearing made of zinc/aluminium and the storage of all moving parts in plastic slide bushings ensure a long service life. The bearing on the drive (input shaft) is completely integrated into one half of the casing. Thus, the worm is mounted precisely and the gear is protected against the gearing power.

The 9:1 reduction ratio allows a wide range of applications for folding-arm awnings, pivot-arm awnings and window awnings.

Three mounting holes on the pitch circle \varnothing 48 mm ensure excellent hold. The gear is available in 3 colours with a drive shaft in 3 different lengths.



Colour specifications and print presentation

The colours specified and shown in the catalogue are only reference values. RAL colours may deviate from the RAL specifications depending on the surface or base material. The colour fields shown in the tables may be displayed differently due to printing-related deviations.


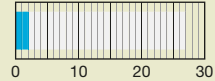

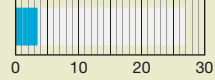

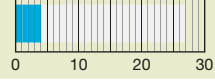

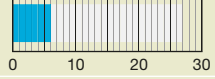

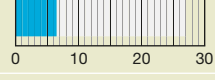

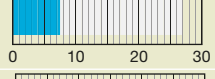

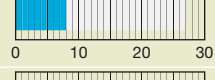

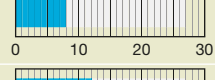

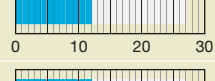

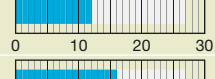

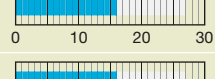

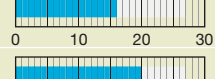

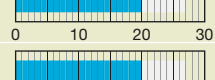

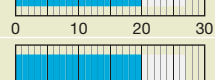

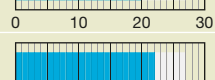

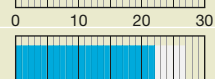

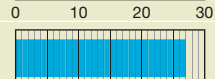

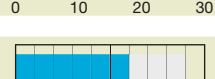

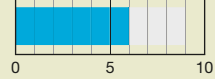
Drawings and dimensions

The technical drawings shown in this catalogue refer to a product from a series. Dimensions from the drawings cannot be used for all items in some cases.

If required, please request exact dimensional drawings for the selected item.

Technical changes and errors excepted

Drive overview

			Gear reduction	Efficiency	Max. output torque	
	426F6.. Worm gear 2.8:1	P. 260	2.8:1	0.38	2.0 Nm	
	414F2.. Worm gear 3:1	P. 251	3:1	0.42	3.5 Nm	
	426F7.. Worm gear 3.5:1	P. 261	3.5:1	0.40	4.0 Nm	
	462F... Bevel gearbox 2.7:1	P. 261	2.7:1	0.69	6.0 Nm	
	414F... Worm gear 4:1	P. 250	4:1	0.40	6.5 Nm	
	421F5.. Worm gear 5.33:1	P. 256	5.33:1	0.40	7.5 Nm	
	409F5.. Bevel gearbox 2.7:1	P. 241	2.7:1	0.66	8.0 Nm	
	414F... Worm gear 6:1	P. 251	6:1	0.34	8.0 Nm	
	409F... Bevel gearbox 3:1	P. 240	3:1	0.66	12.0 Nm	
	410F... Bevel gearbox 3:1	P. 242	3:1	0.68	12.0 Nm	
	412F5.. Bevel gearbox 4.4:1	P. 246	4.4:1	0.66	16.0 Nm	
	418F5.. Worm gear 9:1	P. 255	9:1	0.34	16.0 Nm	
	416F... Worm gear 7:1	P. 252	7:1	0.44	20.0 Nm	
	418F... Worm gear 7:1	P. 254	7:1	0.42	20.0 Nm	
	421F8.. Worm gear 8:1	P. 258	8:1	0.39	20.0 Nm	
	411F1.. Bevel gearbox 7.8:1	P. 243	7.8:1	0.50	22.0 Nm	
	411F5.. Bevel gearbox 7.8:1	P. 244	7.8:1	0.50	22.0 Nm	
	417F... Worm gear 13:1	P. 252	13:1	0.43	27.0 Nm	
	430F5.. Angle gear	P. 264	1:1 1.5:1 1:1.5	0.83	6.00 Nm	

Venetian blinds and external blinds

Rolling shutter

Textile sun protection

System components

409F... | Bevel gearbox 3:1

Application: **Folding-arm awnings, pivot-arm awnings, and window awnings**

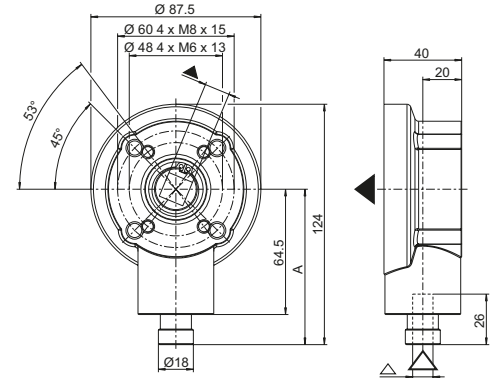
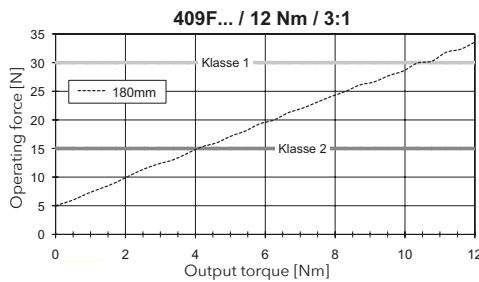
Max. output torque	12 Nm
Gear reduction	3:1
Efficiency	0.66

Characteristics

- Universally applicable due to different tube drivers
- With end stop (AB) after max. 14 revolutions (also available without end stop)
- Bores for screws M6 (pitch circle 48 mm) and M8 (pitch circle 60 mm)

Note

- Colours and drive shafts on request
- This GEIGER awning gear is available with oval zinc eyelets, oval or round plastic eyelets in different RAL colours



Part no.	Colour	End stop (AB)	Drive Δ	Output ∇	Gear centre [A]
409F002	<input type="checkbox"/> blank	with AB	\odot 8 mm	\odot 13 mm	80 mm
409F004	<input type="checkbox"/> blank	with AB	\odot Zinc	\odot 13 mm	80 mm
409F050	<input type="checkbox"/> blank	with AB	\odot \square RAL 7035	\odot 13 mm	80 mm

409F200xs | Bevel gearbox 3:1

Application: **Pivot arm and vertical awnings, marquisolettes, screens, volants, special applications**

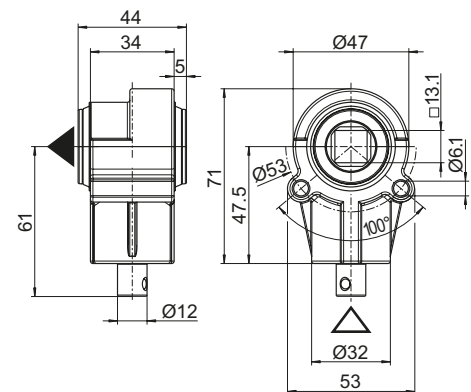
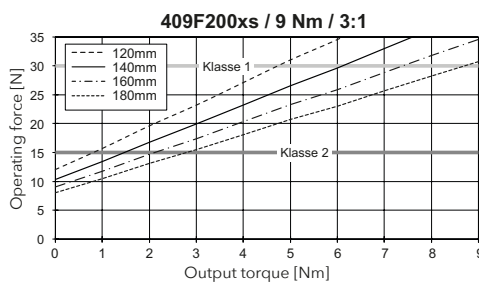
Max. output torque	9 Nm
Gear reduction	3:1
Efficiency	0.53

Characteristics

- Fast operation due to small gear reduction
- High output torque at very small dimensions
- Without end stop (AB)
- High performance plastic housing
- Steel gearing
- Continuous inner profile at the output

Note

- Drive and output profile on request
- Also available with oval eyelet or universal joint



Part no.	Colour	End stop (AB)	Drive Δ	Output ∇
409F200xs	\blacksquare black	without AB	\uparrow Ø 12 mm	\odot 13 mm

409F5.. | Bevel gearbox 2.7:1

Application: **Pivot-arm awnings, marquisolettes, small folding-arm awnings**

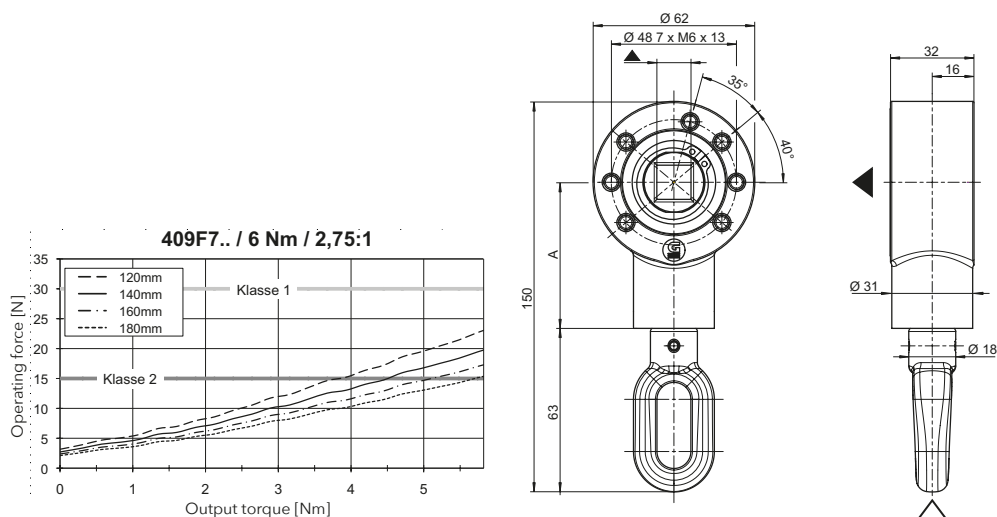
Max. output torque	8 Nm
Gear reduction	2.7:1
Efficiency	0.66

Characteristics

- The smallest awning bevel gearbox by GEIGER
- Without end stop (AB)
- Bores for screws M6 (pitch circle 48 mm)

Note

- Colours and drive shafts on request
- This GEIGER awning gear is available with oval zinc eyelets, oval or round plastic eyelets in different RAL colours



Part no.	Colour	Drive Δ	Output ∇	Gear centre [A]
409F501	☒ blank	⊕ Zinc	○ 13 mm	56 mm
409F503	☒ blank	⊕ RAL 7035	○ 13 mm	56 mm
409F519	☒ blank	⊕ RAL 7035	○ 13 mm	76 mm
409F504	■ RAL 7035	⊕ Zinc	○ 13 mm	56 mm
409F505	■ RAL 7035	⊕ RAL 7035	○ 13 mm	56 mm
409F507	□ RAL 9010	⊕ RAL 9016	○ 13 mm	56 mm

410F... | Bevel gearbox 3:1

Application: **Folding arm awnings**

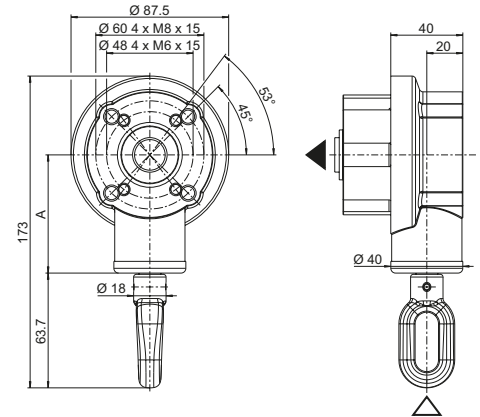
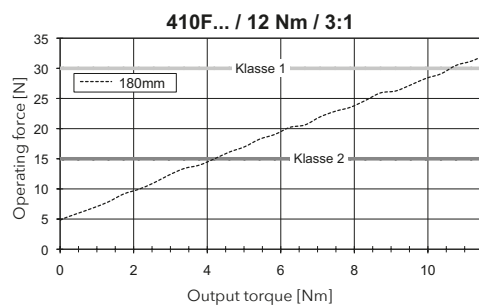
Max. output torque	12 Nm
Gear reduction	3:1
Efficiency	0.68

Characteristics

- Fast operation due to small gear reduction
- Can be inserted directly into the roller tube
- With end stop (AB) after max. 14 revolutions (also available without end stop)
- Bores for screws M6 (pitch circle 48 mm) and M8 (pitch circle 60 mm)

Note

- Colours and drive shafts on request
- This GEIGER awning gear is available with oval zinc eyelets, oval or round plastic eyelets in different RAL colours



Part no.	Colour	End stop (AB)	Drive Δ	Output ∇	Gear centre [A]
410F308	<input checked="" type="checkbox"/> blank	with AB	RAL 7035	Ø 75.5 mm	65.6 mm
410F311	<input type="checkbox"/> RAL 7035	with AB	RAL 7035	Ø 75.5 mm	65.6 mm
410F310	<input type="checkbox"/> RAL 9010	with AB	RAL 9016	Ø 75.5 mm	65.6 mm
410F361	<input type="checkbox"/> RAL 9010	with AB	RAL 9016	Ø 66.5 mm	65.6 mm

411F1.. | Bevel gearbox 7.8:1

Application: **large folding-arm awnings**

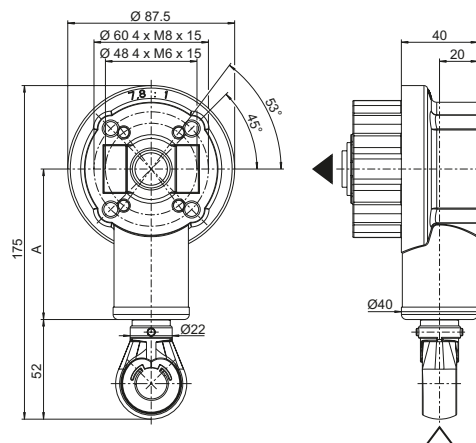
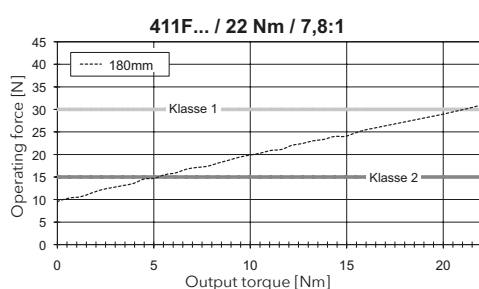
Max. output torque	22 Nm
Gear reduction	7.8:1
Efficiency	0.50

Characteristics

- The strongest awning bevel gearbox by GEIGER
- Can be inserted directly into the roller tube
- With end stop (AB) after max. 14 revolutions (also available without end stop)
- Bores for screws M6 (pitch circle 48 mm) and M8 (pitch circle 60 mm)

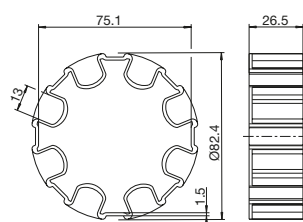
Note

- Colours and drive shafts on request
- This GEIGER awning gear is available with oval zinc eyelets, oval or round plastic eyelets in different RAL colours



Part no.	Colour	End stop (AB)	Drive Δ	Output ∇	Gear centre [A]
411F001	☒ blank	with AB	⊙ Zinc	Ø 66.5 mm	79.0 mm
411F002	☒ blank	with AB	⊙ Zinc	Ø 75.5 mm	79.0 mm
411F006	■ RAL 7035	with AB	⊙ Zinc	Ø 75.5 mm	79.0 mm
411F007	☒ blank	without AB	⊙ Zinc	Ø 75.5 mm	79.0 mm
411F200	□ RAL 9010	with AB	⊙ RAL 9016	Ø 75.5 mm	79.0 mm
411F202	☒ blank	with AB	⊙ RAL 7035	Ø 75.5 mm	79.0 mm
411F211	■ RAL 7035	with AB	⊙ RAL 7035	Ø 75.5 mm	79.0 mm

412E010 | Adapter for bevel gearbox 410F../411F../412F..



Characteristics

- From Ø78 mm gearbox output to Ø85 mm tube

Note

- Cannot be used for gear 412F5..

Part no.	Material
412E010	Plastic

411F5.. | Bevel gearbox 7.8:1

Application: **large folding-arm awnings**

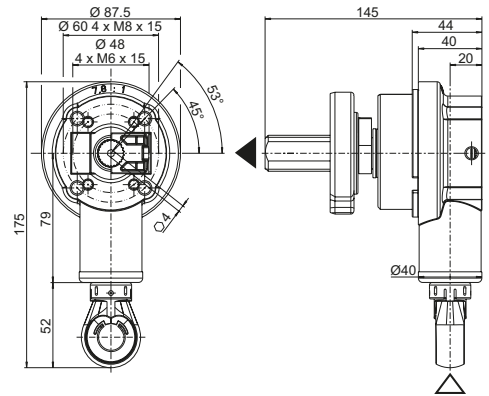
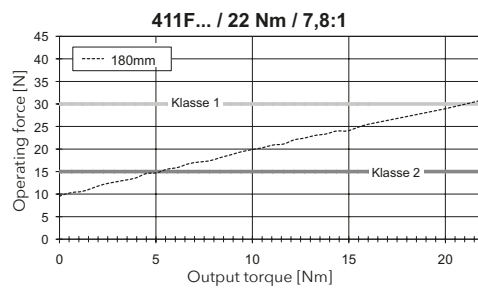
Max. output torque	22 Nm
Gear reduction	7.8:1
Efficiency	0.50

Characteristics

- Bevel gearbox with integrated freewheel
- Can be inserted directly into the roller tube
- End stop variably adjustable by 0 - 20 turns
- Positioning of the end stop up to 10 mm / 15 ° precisely
- Available in right- and left-hand versions
- Bores for screws M6 (pitch circle 48 mm) and M8 (pitch circle 60 mm)

Note

- Colours and drive shafts on request
- This GEIGER awning gear is available with oval zinc eyelets, oval or round plastic eyelets in different RAL colours



Part no.	Colour	End stop (AB)	Drive Δ	Output ∇
411F560	□ RAL 9010	Freewheel left	☺ □ RAL 9016	Ø 75.5 mm
411F561	□ RAL 9010	Freewheel right	☺ □ RAL 9016	Ø 75.5 mm
411F566	■ RAL 9006	Freewheel right	† 12 mm	Ø 82.5 mm
411F567	■ RAL 9006	Freewheel left	† 12 mm	Ø 82.5 mm
411F564	■ RAL 9005	Freewheel left	☺ ■ RAL 9005	Ø 75.5 mm
411F565	■ RAL 9005	Freewheel right	☺ ■ RAL 9005	Ø 75.5 mm

412F5..M | ISG | Bevel gearbox 4,4:1

Application: **large cassette awnings**

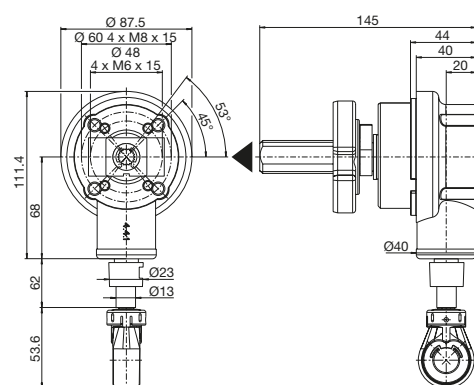
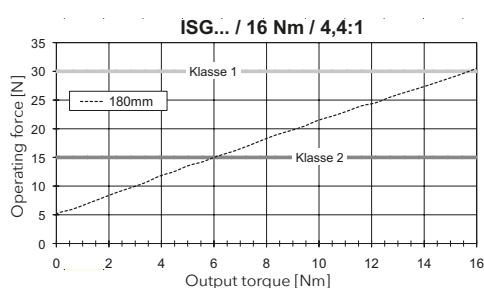
Max. output torque	16 Nm
Gear reduction	4.4:1
Efficiency	0.66

Characteristics

- Bevel gearbox with integrated freewheel
- Can be inserted directly into the roller tube
- End stop variably adjustable by the drive shaft for 0 - 20 turns
- Positioning of the end stop up to 12 mm / 18 ° precisely
- Available in right- and left-hand versions
- Bores for screws M6 (pitch circle 48 mm) and M8 (pitch circle 60 mm)

Note

- Colours and drive shafts on request
- This GEIGER awning gear is available with oval zinc eyelets, oval or round plastic eyelets in different RAL colours



Options for awning gearboxes ISG	
Drive	round and oval plastic eyelet
Output	78 mm and 85 mm grooved tube
Extensions	upon request
Version	left and right gearbox versions
Housing	coated in RAL-tones 9010, 7035, 9005 (other colours on request)
End position range	20 turns (of the awning tube)
Accuracy	precise to 12 mm / 18°

ISG

Part no.	Colour	End stop (AB)	Output ▼
412F506M	□ RAL 9016	Freewheel left, adjustable	Ø 75.5 mm
412F507M	□ RAL 9016	Freewheel right, adjustable	Ø 75.5 mm
412F503M	■ RAL 9005	Freewheel right, adjustable	Ø 82.5 mm
412F502M	■ RAL 9005	Freewheel left, adjustable	Ø 82.5 mm
412F510M	□ RAL 7035	Freewheel right, adjustable	Ø 75.5 mm
412F511M	□ RAL 7035	Freewheel left, adjustable	Ø 75.5 mm

ISG with Easy Clip

Part no.	Colour	End stop (AB)	Output ▼
412F508M	□ RAL 9016	Freewheel left, adjustable	Ø 75.5 mm
412F509M	□ RAL 9016	Freewheel right, adjustable	Ø 75.5 mm
412F505M	■ RAL 9005	Freewheel right, adjustable	Ø 82.5 mm
412F504M	■ RAL 9005	Freewheel left, adjustable	Ø 82.5 mm
412F512M	□ RAL 7035	Freewheel right, adjustable	Ø 75.5 mm
412F503M	□ RAL 7035	Freewheel left, adjustable	Ø 75.5 mm

412F5.. | Bevel gearbox 4.4:1

Application: **large folding-arm awnings**

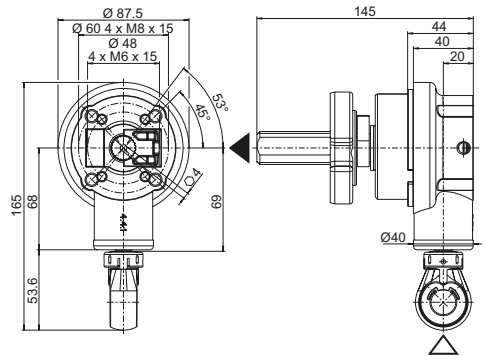
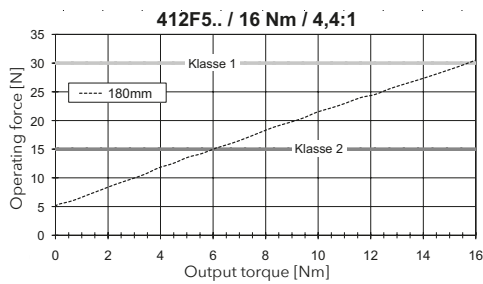
Max. output torque	16 Nm
Gear reduction	4.4:1
Efficiency	0.66

Characteristics

- Bevel gearbox with integrated freewheel
- Can be inserted directly into the roller tube
- End stop variably adjustable by 0 - 20 turns
- Positioning of the end stop up to 10 mm / 15 ° precisely
- Available in right- and left-hand versions
- Bores for screws M6 (pitch circle 48 mm) and M8 (pitch circle 60 mm)

Note

- Colours and drive shafts on request
- This GEIGER awning gear is available with oval zinc eyelets, oval or round plastic eyelets in different RAL colours



Part no.	Colour	End stop (AB)	Drive Δ	Output ∇
412F552	<input type="checkbox"/> RAL 9010	Freewheel left, adjustable	<input type="checkbox"/> RAL 9016	Ø 75.5 mm
412F553	<input type="checkbox"/> RAL 9010	Freewheel right, adjustable	<input type="checkbox"/> RAL 9016	Ø 75.5 mm
412F554	<input type="checkbox"/> RAL 7035	Freewheel left, adjustable	<input type="checkbox"/> RAL 7035	Ø 75.5 mm
412F555	<input type="checkbox"/> RAL 7035	Freewheel right, adjustable	<input type="checkbox"/> RAL 7035	Ø 75.5 mm
412F556	<input type="checkbox"/> RAL 9005	Freewheel left, adjustable	<input type="checkbox"/> RAL 9005	Ø 75.5 mm
412F557	<input type="checkbox"/> RAL 9005	Freewheel right, adjustable	<input type="checkbox"/> RAL 9005	Ø 75.5 mm
412F608	<input type="checkbox"/> RAL 9010	Freewheel left, adjustable	Zinc	Ø 75.5 mm
412F609	<input type="checkbox"/> RAL 9010	Freewheel right, adjustable	Zinc	Ø 75.5 mm
412F663	<input type="checkbox"/> RAL 9016	Freewheel left, adjustable	<input type="checkbox"/> RAL 9016	Ø 75.5 mm
412F664	<input type="checkbox"/> RAL 9016	Freewheel right, adjustable	<input type="checkbox"/> RAL 9016	Ø 75.5 mm

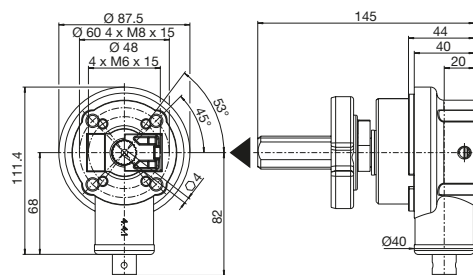
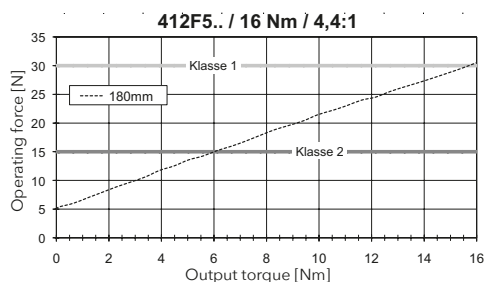
412F5.. | Modular bevel gearbox 4,4:1

Application: **large folding-arm awnings**

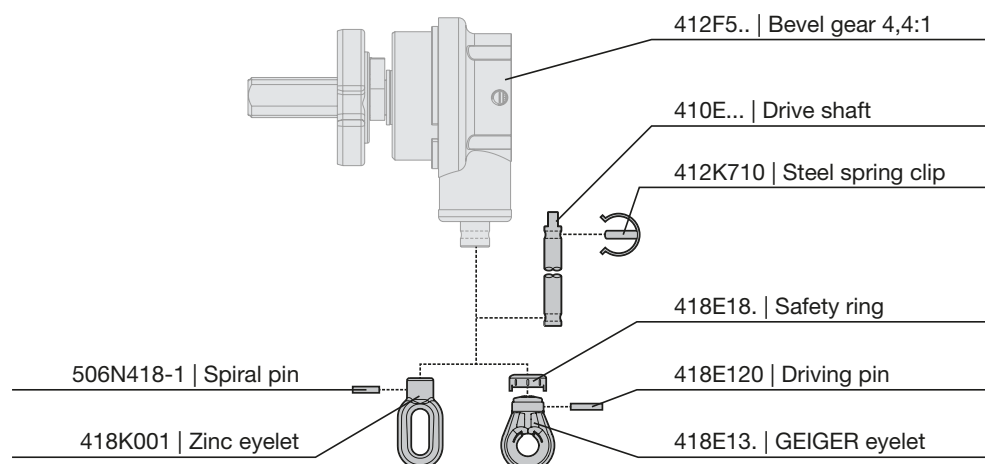
Max. output torque	16 Nm
Gear reduction	4.4:1
Efficiency	0.66

Characteristics

- Bevel gearbox with integrated freewheel
- Can be inserted directly into the roller tube
- End stop variably adjustable by 0 - 20 turns
- Positioning of the end stop up to 10 mm / 15 ° precisely
- Available in right- and left-hand versions
- Bores for screws M6 (pitch circle 48 mm) and M8 (pitch circle 60 mm)
- Without drive tube and eyelet



Part no.	Colour	End stop (AB)	Output ▼
412F543	<input type="checkbox"/> RAL 9010	Freewheel left, adjustable	Ø 75.5 mm
412F544	<input type="checkbox"/> RAL 9010	Freewheel right, adjustable	Ø 75.5 mm
412F547	<input type="checkbox"/> RAL 9016	Freewheel left, adjustable	Ø 75.5 mm
412F548	<input type="checkbox"/> RAL 9016	Freewheel right, adjustable	Ø 75.5 mm
412F566	<input type="checkbox"/> RAL 9010	Freewheel right, adjustable	Ø 82.5 mm
412F567	<input type="checkbox"/> RAL 9010	Freewheel left, adjustable	Ø 82.5 mm
412F569	<input checked="" type="checkbox"/> RAL 9005	Freewheel right, adjustable	Ø 82.5 mm
412F570	<input checked="" type="checkbox"/> RAL 9005	Freewheel left, adjustable	Ø 82.5 mm
412F604	<input checked="" type="checkbox"/> RAL 9005	Freewheel left, adjustable	Ø 75.5 mm
412F605	<input checked="" type="checkbox"/> RAL 9005	Freewheel right, adjustable	Ø 75.5 mm
412F657	<input type="checkbox"/> RAL 7035	Freewheel right, adjustable	Ø 75.5 mm
412F658	<input type="checkbox"/> RAL 7035	Freewheel left, adjustable	Ø 75.5 mm



412K710 | Steel spring clamp

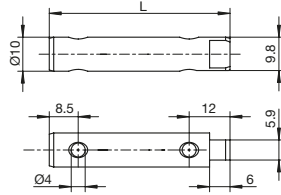


Characteristics

- Safety clip with stainless steel pin, pin diameter 4 mm
- For secure the drive shaft in the gearbox holder
- The drive shaft with max. Ø 18 mm

Part no.	Outside-Ø	Length	Surface
412K710	20 mm	19 mm	<input type="checkbox"/> galvanised

410E... | Drive shaft for bevel gearbox 4.4:1



Characteristics

- Made of steel with galvanised surface
- With two cross-bores Ø 4 mm

Part no.	Material	Length [L]	Surface
410E048	Steel	107.0 mm	<input type="checkbox"/> galvanised
410E022	Steel	127.0 mm	<input type="checkbox"/> galvanised
410E028	Steel	167.0 mm	<input type="checkbox"/> galvanised
410E030	Steel	37.5 mm	<input type="checkbox"/> galvanised
410E126	Steel	48.5 mm	<input type="checkbox"/> galvanised
410E080	Steel	55.5 mm	<input type="checkbox"/> galvanised
410E040	Steel	60.5 mm	<input type="checkbox"/> galvanised
410E128	Steel	78.0 mm	<input type="checkbox"/> galvanised
410E016	Steel	85.5 mm	<input type="checkbox"/> galvanised
410E104	Steel	97.0 mm	<input type="checkbox"/> galvanised

418E13. | GEIGER eyelets



Characteristics

- Made from high-strength plastic

Part no.	Colour	Material	Interior profile	Cross-bore
418E130	<input type="checkbox"/> RAL 9016	Plastic	○ 10 mm	4.1 mm
418E131	<input checked="" type="checkbox"/> RAL 9005	Plastic	○ 10 mm	4.1 mm
418E132	<input type="checkbox"/> RAL 7035	Plastic	○ 10 mm	4.1 mm

418E120 | Driver pin for plastic eyelets



Characteristics

- To secure the plastic eyelet into the drive shaft (only applicable with safety ring 418F18.)

Part no.	Material	Outside-Ø	Length	Surface
418E120	Stainless steel	4 mm	22 mm	<input checked="" type="checkbox"/> blank

418E18. | Safety ring for plastic eyelets



Characteristics

- To secure the plastic eyelet through easy rotation (together with locking pin 418E120)

Part no.	Colour
418E180	<input type="checkbox"/> RAL 9016
418E181	<input checked="" type="checkbox"/> RAL 9005
418E182	<input type="checkbox"/> RAL 7035

506N418-1 | Spiral pin



Characteristics

- To secure the tube connection

Part no.	Material	Outside-Ø	Length	Surface
506N418-1	Steel	4 mm	18 mm	<input type="checkbox"/> galvanised

418K001 | Zinc eyelet



Characteristics

- Made from die-cast zinc

Part no.	Colour	Material	Interior profile	Cross-bore
418K001	<input checked="" type="checkbox"/> blank	<input type="checkbox"/> Zinc	10 mm	4 mm

414F... | Worm gear 4:1

Application: **Pivot-arm awnings, marquisolettes, small folding-arm awnings**

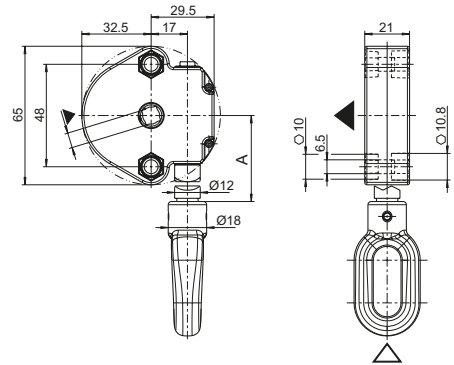
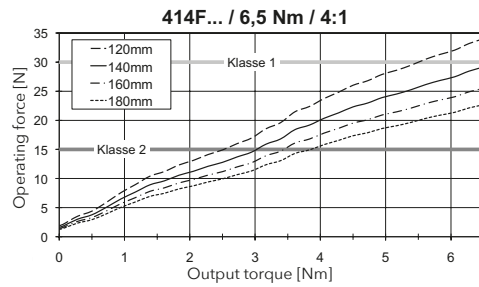
Max. output torque	6.5 Nm
Gear reduction	4:1
Efficiency	0.40

Characteristics

- The small power pack: maximum performance with minimal gearbox dimensions
- With end stop (AB) after max. 19 revolutions (also available without end stop)
- Continuous internal profile on the drive and output

Note

- Colours and drive shafts on request
- This GEIGER awning gear is available with oval zinc eyelets, oval or round plastic eyelets in different RAL colours



Part no.	End stop (AB)	Drive \triangle	Output ∇	Gear centre [A]
414F001	without AB	6 mm	6 mm	-
414F002	with AB	6 mm	6 mm	-
414F008	with AB	6 mm	7 mm	-
414F049	with AB	Zinc	7 mm	55.5 mm
414F052	with AB	RAL 7035	7 mm	55.5 mm
414F129	with AB	RAL 7035	7 mm	29.7 mm
414F254	with AB	9.9 mm	7 mm	64.3 mm
414F260	without AB	9.9 mm	7 mm	64.3 mm

414F... | Worm gear 6:1

Application: **Pivot-arm awnings, marquisolettes, small folding-arm awnings**

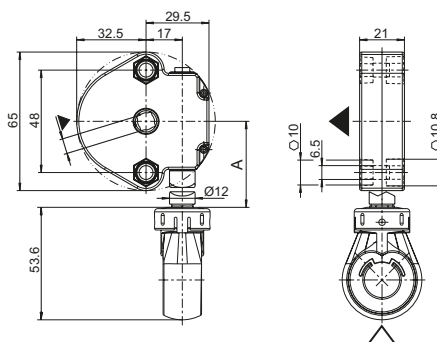
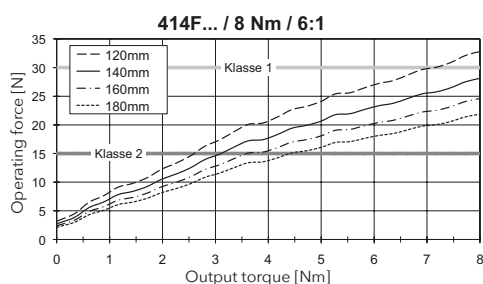
Max. output torque	8.0 Nm
Gear reduction	6:1
Efficiency	0.34

Characteristics

- The small power pack: maximum performance with minimal gearbox dimensions
- With end stop (AB) after max. 19 revolutions (also available without end stop)
- Continuous internal profile on the drive and output

Note

- Colours and drive shafts on request
- This GEIGER awning gear is available with oval zinc eyelets, oval or round plastic eyelets in different RAL colours
- Extensions on request



Part no.	End stop (AB)	Drive Δ	Output ∇	Gear centre [A]
414F204	without AB	○ 6 mm	○ 8 mm	-
414F205	with AB	○ 6 mm	○ 8 mm	-
414F608	without AB	⚙ 9.9 mm	○ 7 mm	28.7 mm
414F648	with AB	⚙ □ RAL 7035	○ 7 mm	55.5 mm

414F2.. | Worm gear 3:1

Application: **Screens, volants**

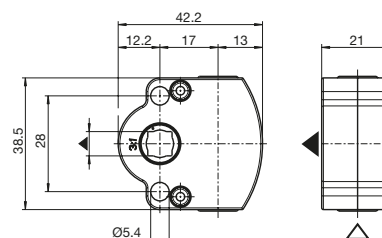
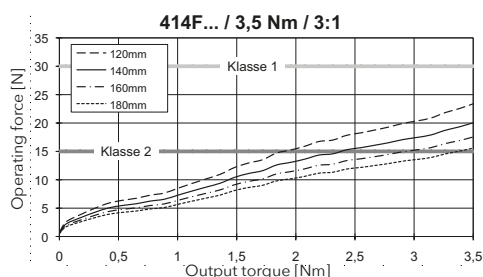
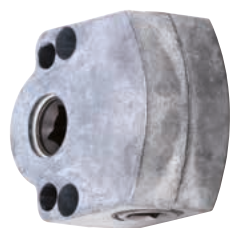
Max. output torque	3.5 Nm
Gear reduction	3:1
Efficiency	0.42

Characteristics

- Small installation dimensions
- Without end stop (AB)

Note

- Freewheel and prolonged shafts on request
- This GEIGER awning gear is available with oval zinc eyelets, oval or round plastic eyelets in different RAL colours



Part no.	Drive Δ	Output ∇	Fixation	Gear centre [A]
414F220	○ 6 mm	○ 7 mm	Ø 5.4 mm TK28	-
414F225	⚙ □ RAL 7035	○ 7 mm	M6 TK28	45.0 mm
414F226	⚙ □ RAL 9016	○ 7 mm	M6 TK28	45.0 mm
414F229	⚙ ■ RAL 9005	○ 7 mm	M6 TK28	45.0 mm

TK = pitch circle diameter

416F... | Worm gear 7:1

Application: **Folding-arm awnings, pivot-arm awnings, and window awnings**

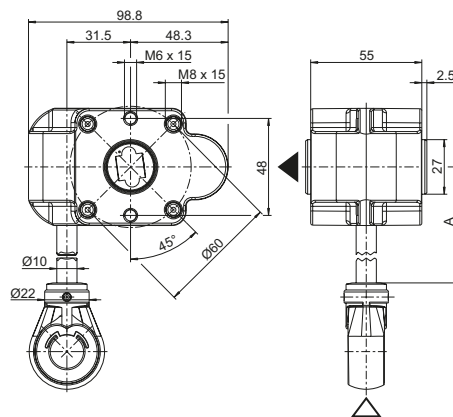
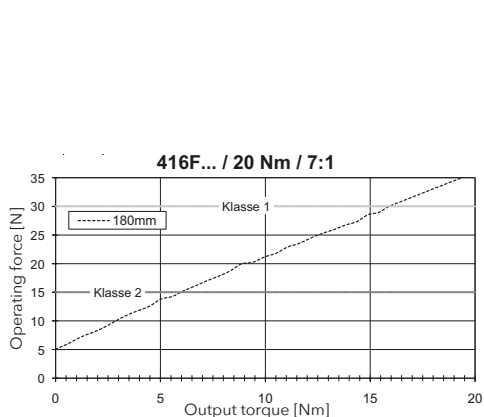
Max. output torque	20 Nm
Gear reduction	7:1
Efficiency	0.44

Characteristics

- Available with or without housing holder (collar)
- With end stop (AB) after max. 15 revolutions (also available without end stop)

Note

- Colours and drive shafts on request
- This GEIGER awning gear is available with oval zinc eyelets, oval or round plastic eyelets in different RAL colours



Part no.	Colour	End stop (AB)	Drive Δ	Output ∇	Fixation	Gear centre [A]
416F001	☒ blank	without AB	⊗ Zinc	○ 13 mm	M6+M8 w/o collar	35.5 mm
416F301	☐ RAL 7035	with AB	⊗ ☐ RAL 7035	○ 13 mm	M6+M8 with collar	35.5 mm
416F305	☐ RAL 9010	with AB	⊗ ☐ RAL 9016	○ 13 mm	M6+M8 with collar	35.5 mm
416F308	☐ RAL 9006	with AB	⊗ ☐ RAL 7035	○ 13 mm	M6+M8 with collar	35.5 mm

417F... | Worm gear 13:1

Application: **Folding arm and pivot arm awnings**

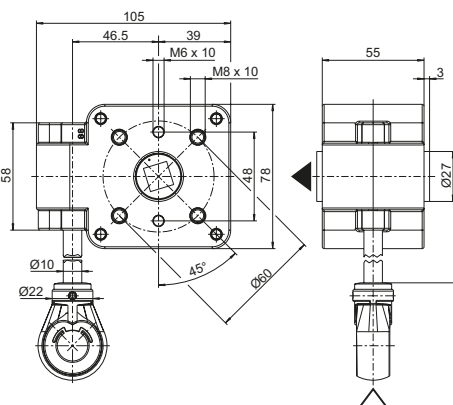
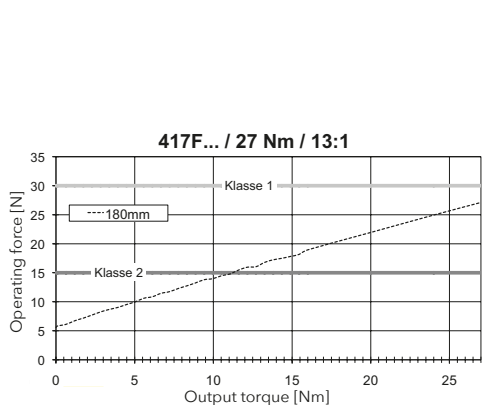
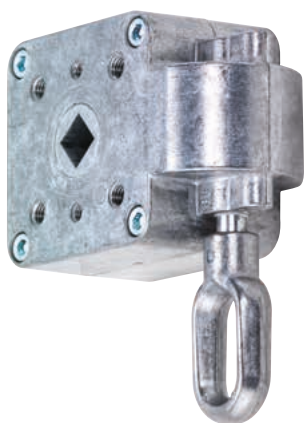
Max. output torque	27 Nm
Gear reduction	13:1
Efficiency	0.43

Characteristics

- Available with or without housing holder (collar)
- Without end stop (AB)

Note

- Colours and drive shafts on request
- This GEIGER awning gear is available with oval zinc eyelets, oval or round plastic eyelets in different RAL colours



Part no.	Colour	Drive Δ	Output ∇	Fixation	Gear centre [A]
417F300	☐ RAL 9010	⊗ ☐ RAL 9016	○ 13 mm	M6+M8 with collar	36.5 mm
417F327	☐ RAL 7035	⊗ ☐ RAL 7035	○ 13 mm	M6+M8 with collar	36.5 mm

417F5.. | Worm gear 13:1

Application: **Folding-arm awnings, pivot-arm awnings, and window awnings**

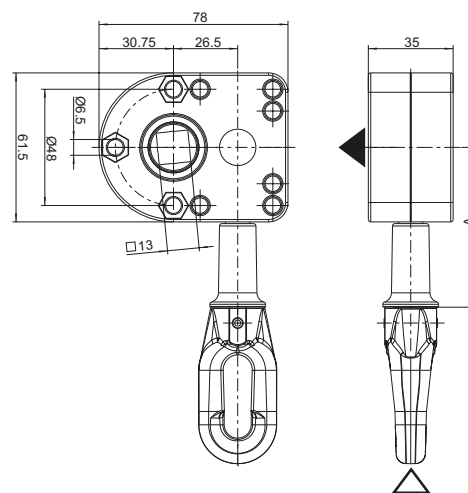
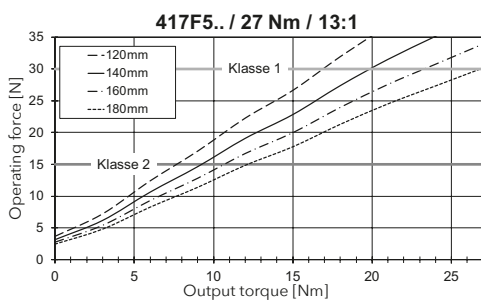
Max. output torque	27 Nm
Gear reduction	13:1
Efficiency	0.38

Characteristics

- Without housing holder (collar)
- Without end stop (AB)

Note

- More colours and items on request



Part no.	Colour	Drive Δ	Output ∇	Fixation	Gear centre [A]
417F501	□ RAL 9010	⊗ □ RAL 9016	○ 13 mm	without collar	38.0 mm
417F502	□ RAL 9010	⊗ □ RAL 9016	○ 13 mm	without collar	65.5 mm
417F503	■ RAL 7035	⊗ ■ RAL 7035	○ 13 mm	without collar	65.5 mm

418F... | Worm gear 7:1

Application: Folding-arm awnings, pivot-arm awnings, and window awnings

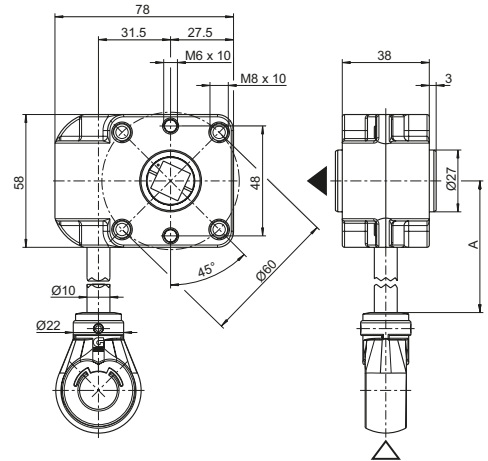
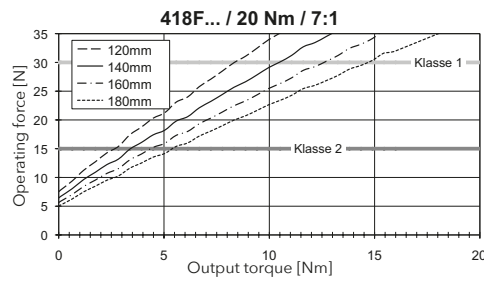
Max. output torque	20 Nm
Gear reduction	7:1
Efficiency	0.42

Characteristics

- The strong awning classic
- Available with or without housing holder (collar)
- Without end stop (AB)

Note

- Colours and drive shafts on request
- Also available with oval eyelet. Other items on request.



Part no.	Colour	Drive Δ	Output ∇	Fixation	Gear centre [A]
418F300	RAL 7035	RAL 7035	13 mm	M6+M8 with collar	36.5 mm
418F301	RAL 9016	RAL 9016	13 mm	M6+M8 with collar	36.5 mm
418F302	RAL 9010	RAL 9016	13 mm	M6+M8 with collar	36.5 mm
418F312	RAL 8019	RAL 9005	13 mm	M6+M8 with collar	36.5 mm
418F604	RAL 9010	RAL 9016	13 mm	M6+M8 with collar	36.5 mm
418F624	RAL 7035	RAL 7035	13 mm	M6+M8 with collar	36.5 mm

418F5.. | Worm gear 9:1

Application: **Folding-arm awnings, pivot-arm awnings, and window awnings**

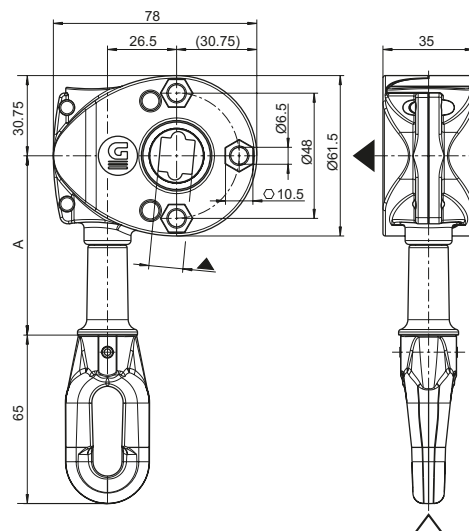
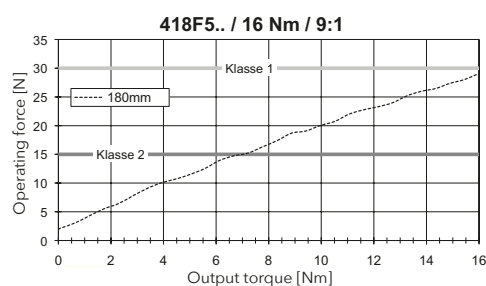
Max. output torque	16 Nm
Gear reduction	9:1
Efficiency	0.34

Characteristics

- Available with or without housing holder (collar)
- Without end stop (AB)

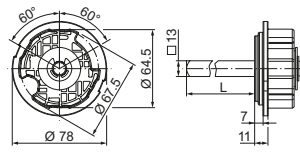
Note

- Colours and drive shafts on request



Part no.	Colour	Drive Δ	Output ∇	Gear centre [A]
418F500	<input type="checkbox"/> RAL 9010	<input type="checkbox"/> RAL 9016	<input type="checkbox"/> 13 mm	41.0 mm
418F501	<input type="checkbox"/> RAL 9010	<input type="checkbox"/> RAL 9016	<input type="checkbox"/> 13 mm	68.5 mm
418F502	<input type="checkbox"/> RAL 9010	<input type="checkbox"/> RAL 9016	<input type="checkbox"/> 13 mm	98.5 mm
418F510	<input type="checkbox"/> RAL 7035	<input type="checkbox"/> RAL 7035	<input type="checkbox"/> 13 mm	41.0 mm
418F511	<input type="checkbox"/> RAL 7035	<input type="checkbox"/> RAL 7035	<input type="checkbox"/> 13 mm	68.5 mm
418F512	<input type="checkbox"/> RAL 7035	<input type="checkbox"/> RAL 7035	<input type="checkbox"/> 13 mm	98.5 mm

418F3.. | Freewheel for 70 mm round tube with groove profile

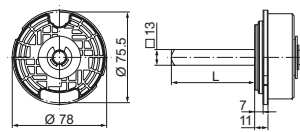


Characteristics

- Freewheel for 70 mm round tube with groove profile
- For worm gear 418F...
- Prevents incorrect winding of the hanging
- Other lengths of the square rod on request

Part no.	Drive Δ	Output ∇	Comment
418F362	■ 13 mm, L = 69 mm	Ø 66.5 mm	Freewheel left
418F363	■ 13 mm, L = 69 mm	Ø 66.5 mm	Freewheel right

418F3.. | Freewheel for 78 mm round tube with groove profile



Characteristics

- Freewheel for 78 mm round tube with groove profile
- For worm gear 418F...
- Prevents incorrect winding of the hanging
- Other lengths of the square rod on request

Part no.	Drive Δ	Output ∇	Comment
418F369	■ 13 mm, L = 45 mm	Ø 75.5 mm	Freewheel left
418F370	■ 13 mm, L = 45 mm	Ø 75.5 mm	Freewheel right
418F364	■ 13 mm, L = 69 mm	Ø 75.5 mm	Freewheel left
418F365	■ 13 mm, L = 69 mm	Ø 75.5 mm	Freewheel right

421F5.. | Worm gear 5.33:1

Application: Pivot arm awnings, marquoisettes, vertical awnings

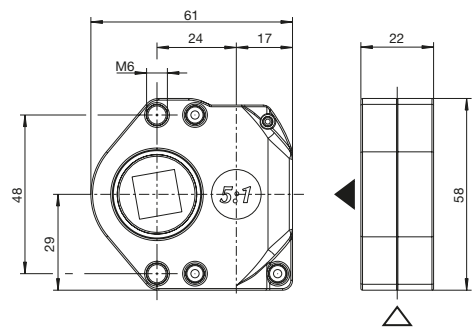
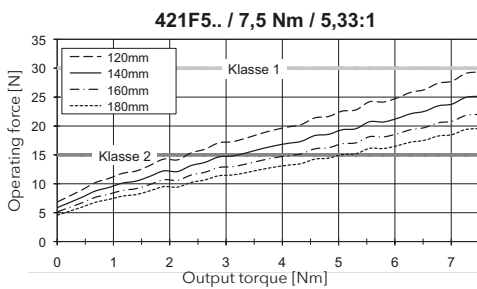
Max. output torque	7.5 Nm
Gear reduction	5.33:1
Efficiency	0.40

Characteristics

- Without end stop (AB)
- Housing and worm wheel made of die-cast zinc
- Continuous internal profile on the drive and output

Note

- Coloured versions on request
- Designs with extensions, mounted universal joints, zinc or plastic eyelets or 8 mm square adaptor on request



Part no.	Drive Δ	Output ∇
421F504	○ 6 mm	○ 13 mm
421F542	○ 7 mm	○ 13 mm

421F5.. | Worm gearbox 5.33:1 with end stop

Application: **Pivot arm awnings, marquiselettes, vertical awnings**

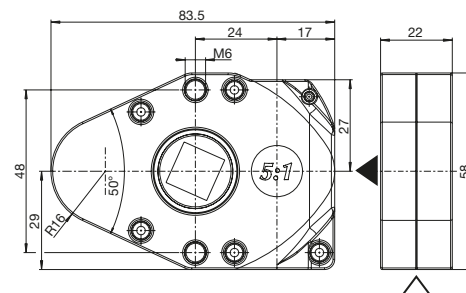
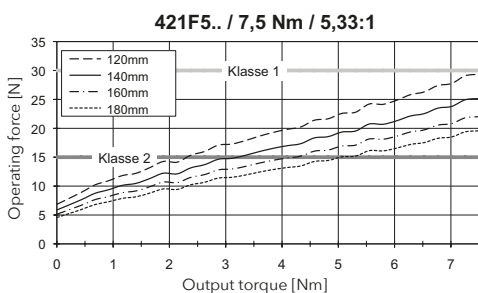
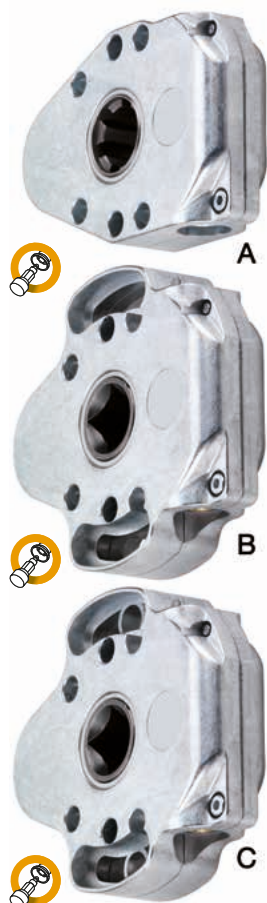
Max. output torque	7.5 Nm
Gear reduction	5.33:1
Efficiency	0.40

Characteristics

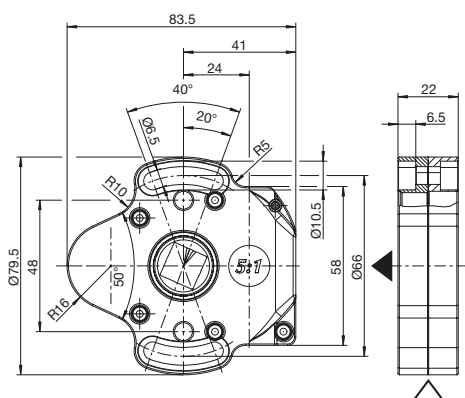
- With end stop (AB)
- Housing made of die-cast zinc, worm wheel made of steel
- Continuous internal profile on the drive and output
- Available in three different housing designs

Note

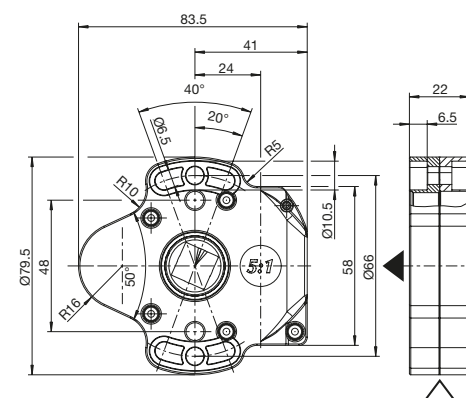
- Coloured versions on request
- Versions with extension, mounted universal joint, plug-in crank system, zinc, or plastic eyelet or 8 mm square adapter on request



Housing design A (TK 48 mm)



Housing design B (TK 66 mm)



Housing design C (TK 66 mm with fixing)

Options for worm gearbox 5.33:1 with end stop	
Drive	⊙ 6 mm and ⊙ 7 mm, continuous interior profile
Output	⊙ or ⊙ 13 mm and ⊙ 16 mm, continuous interior profile
Pitch circle Ø	48 mm, 66 mm and 66 mm with fixation
Colours	blank or powder-coated

Housing design A

Part no.	Drive △	Output ▼
421F556	⊙ 6 mm	⊙ 16 mm
421F557	⊙ 7 mm	⊙ 16 mm
421F558	⊙ 7 mm	⊙ 13 mm
421F559	⊙ 6 mm	⊙ 13 mm

Housing design B

Part no.	Drive △	Output ▼
421F552	⊙ 6 mm	⊙ 16 mm
421F553	⊙ 7 mm	⊙ 16 mm
421F554	⊙ 7 mm	⊙ 13 mm

Housing design C

Part no.	Drive △	Output ▼
421F561	⊙ 6 mm	⊙ 16 mm
421F562	⊙ 7 mm	⊙ 16 mm
421F563	⊙ 7 mm	⊙ 13 mm
421F564	⊙ 6 mm	⊙ 13 mm

421F8.. | Worm gear 8:1

Application: **Pivot arm awnings, marquisolettes, vertical awnings**

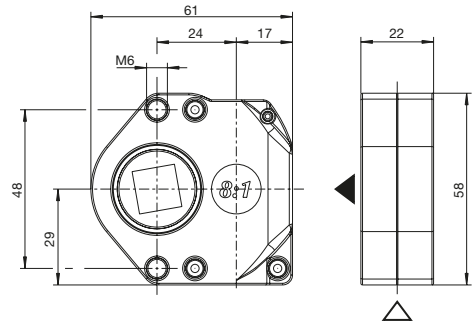
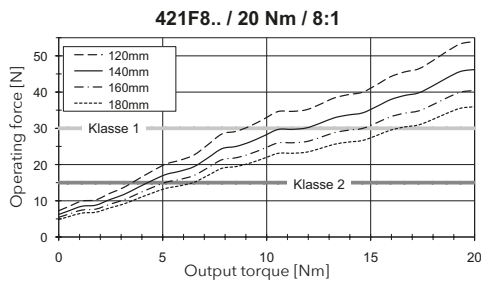
Max. output torque	20 Nm
Gear reduction	8:1
Efficiency	0.39

Characteristics

- Without end stop (AB)
- Zinc die-cast housing
- Worm and worm wheel made of steel
- Continuous internal profile on the drive and output

Note

- Coloured versions on request
- Designs with extensions, mounted universal joints, zinc or plastic eyelets or 8 mm square adaptor on request



Part no.	Drive \triangle	Output ∇
421F804	\bigcirc 6 mm	\bigcirc 13 mm
421F842	\bigcirc 7 mm	\bigcirc 13 mm
421F892	\bigcirc 7 mm	\bigcirc 10 mm

421F8.. | Worm gearbox 8:1 with end stop

Application: **Pivot arm awnings, marquiselettes, vertical awnings**

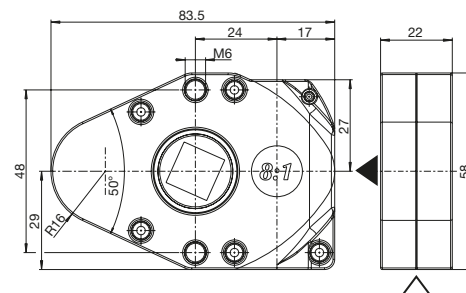
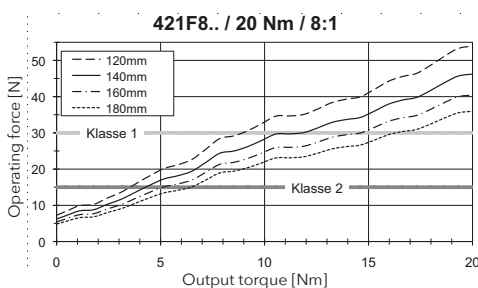
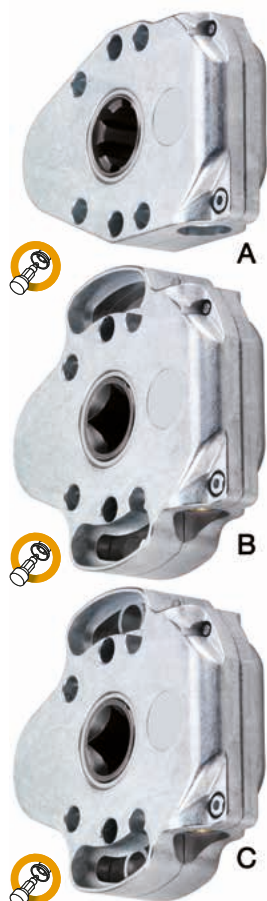
Max. output torque	20 Nm
Gear reduction	8:1
Efficiency	0.39

Characteristics

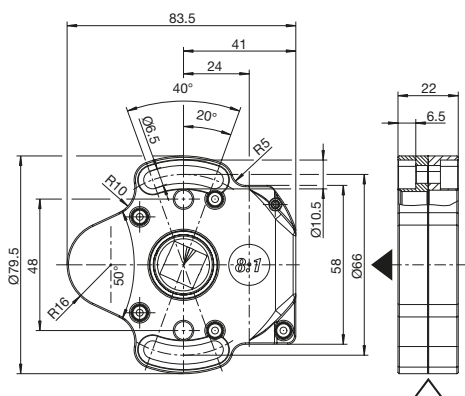
- With end stop (AB)
- Housing made of die-cast zinc, worm wheel made of steel
- Continuous internal profile on the drive and output
- Available in three different housing designs

Note

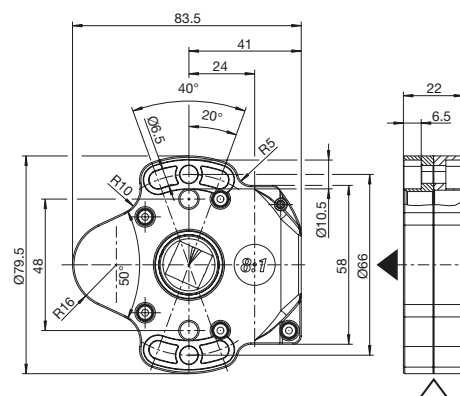
- Coloured versions on request
- Versions with extension, mounted universal joint, plug-in crank system, zinc, or plastic eyelet or 8 mm square adapter on request



Housing design A (TK 48 mm)



Housing design B (TK 66 mm)



Housing design C (TK 66 mm with fixing)

Options for worm gearbox 8:1 with end stop	
Drive	○ 6 mm and ○ 7 mm, continuous interior profile
Output	○ or ⚙ 13 mm and ⚙ 16 mm, continuous interior profile
Pitch circle Ø	48 mm, 66 mm and 66 mm with fixation
Colours	blank or powder-coated

Housing design A

Part no.	Drive △	Output ▼
421F855	○ 6 mm	⚙ 16 mm
421F856	○ 7 mm	⚙ 16 mm
421F857	○ 7 mm	○ 13 mm
421F861	○ 6 mm	○ 13 mm

Housing design B

Part no.	Drive △	Output ▼
421F851	○ 6 mm	⚙ 16 mm
421F853	○ 7 mm	○ 13 mm

Housing design C

Part no.	Drive △	Output ▼
421F862	○ 6 mm	⚙ 16 mm
421F863	○ 7 mm	⚙ 16 mm
421F864	○ 7 mm	○ 13 mm
421F865	○ 6 mm	○ 13 mm

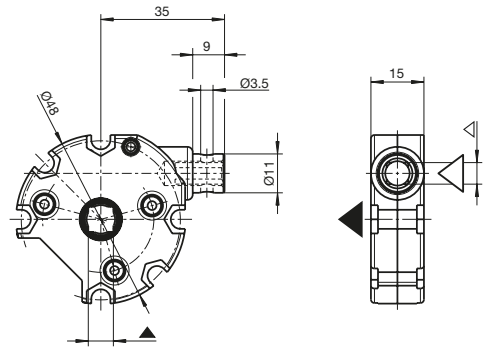
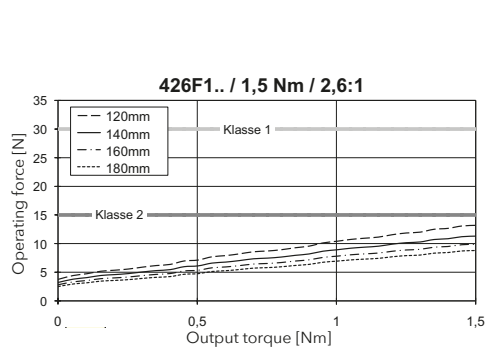
426F1.. | Worm gear 2.6:1

Application: **Screens, volants**

Max. output torque	1.5 Nm
Gear reduction	2.6:1
Efficiency	0.37

Characteristics

- Zinc die-cast housing
- Worm of special brass
- Worm wheel made out of heat-treatable steel
- Brake spring made out of spring steel
- Without end stop (AB)



Part no.	Drive Δ	Output ∇
426F100	6 mm	7 mm
426F101	6 mm	7 mm

426F6.. | Worm gear 2.8:1

Application: **Screens, volants**

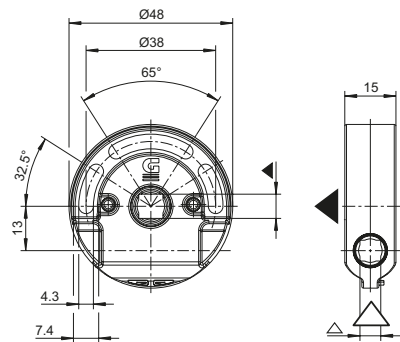
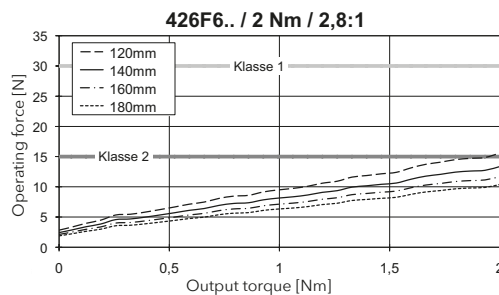
Max. output torque	2 Nm
Gear reduction	2.8:1
Efficiency	0.38

Characteristics

- Small installation dimensions (only 15 mm wide) for narrow space
- Without end stop (AB)
- Continuous internal profile on the drive and output

Note

- Also available with oval eyelet or eyelet extension. Other items on request.
- Alternatively also with mounted universal joint



Part no.	Drive Δ	Output ∇
426F600	6 mm	7 mm
426F604	7 mm	7 mm
426F611	6 mm	7 mm
426F615	6 mm	6 mm

426F7.. | Worm gear 3.5:1

Application: **Screens, volants**

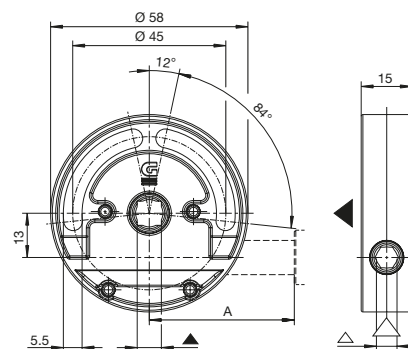
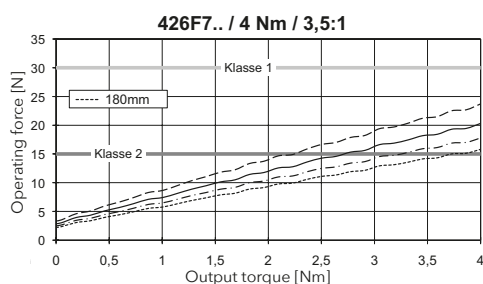
Max. output torque	4 Nm
Gear reduction	3.5:1
Efficiency	0.40

Characteristics

- Small installation dimensions (only 15 mm wide) for narrow space
- Without end stop (AB)
- Continuous internal profile on the drive and output

Note

- Also available with oval eyelet or eyelet extension. Other items on request.
- Alternatively also with mounted universal joint



Part no.	Drive Δ	Output ∇	Gear centre [A]
426F700	○ 6.0 mm	○ 7 mm	-
426F701	⊕ 9.9 mm Ø16 mm	○ 7 mm	37
426F702	⊕ 9.9 mm, Ø16 mm	○ 7 mm	43

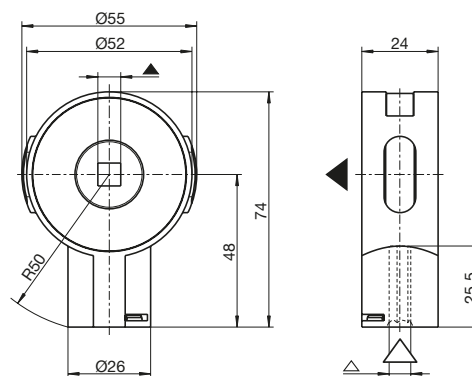
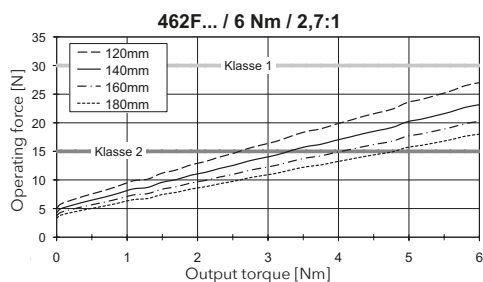
462F... | Bevel gearbox 2.7:1

Application: **Screens, volants**

Max. output torque	6 Nm
Gear reduction	2.7:1
Efficiency	0.69

Characteristics

- Can be installed on the left and right with constant direction of rotation
- Only suitable for spherical plain bearing drive
- Coupling piece for use with an 8 mm square see 462F093
- Without end stop (AB)

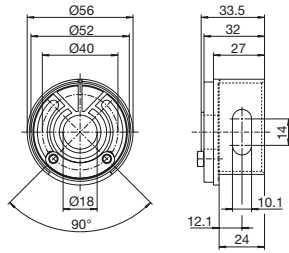


Part no.	End stop (AB)	Drive Δ	Output ∇
462F007	without AB	○ 6 mm	○ 12 mm
462F013	without AB	○ 6 mm	○ 10.2 mm
462F021	without AB	○ 6 mm	○ 14 mm

462F075 | Gearbox holder

Characteristics

- Made of plastic

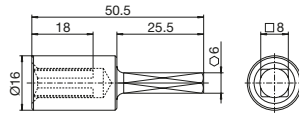


Part no.	Material	Fixation
462F075	Plastic	swivelling

462F093 | Coupling piece for gearbox 462F...

Characteristics

- Inside-8 mm- or 6 mm-square for spherical bearing drive
- Outside-6 mm-hexagon
- Made of steel
- Galvanised

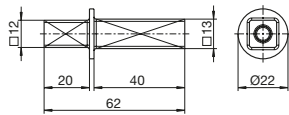


Part no.	Drive	Output
462F093	○ 8 mm	● 6 mm

462F080 | Coupling piece

Characteristics

- Made from die-cast zinc



Part no.	Drive	Output
462F080	■ 12 mm	■ 13 mm

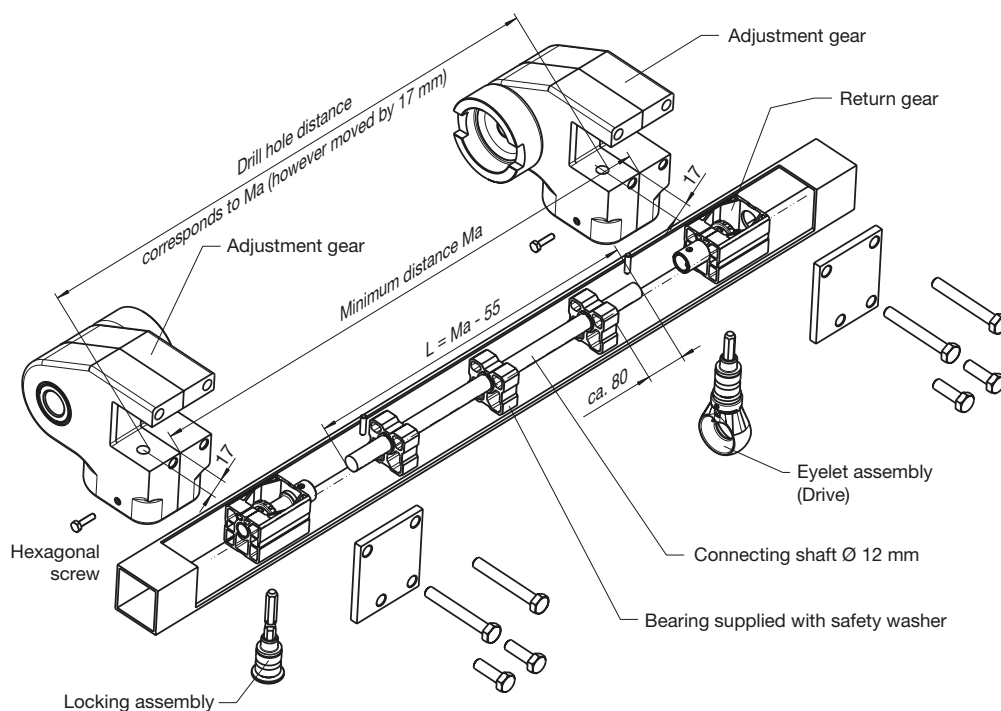
482F... | Angle adjustment gear

Application: **Folding arm awnings**



Characteristics

- Delivery of the complete assembly kit (without connection tube)
- Other colours on request
- For all 40 x 40 mm support tubes with 2 or 2.5 mm wall thickness
- Adjustment by crank drive
- Preset to 7°, swivel range 55°
- Easy and quick mounting, assembly instructions on request
- Also available with oval eyelet. Other items on request.



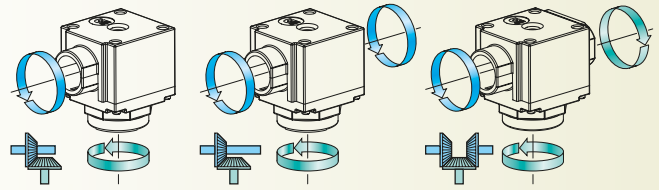
Part no.	Colour	End stop (AB)	Drive Δ
482F131	<input type="checkbox"/> RAL 9010	55°	<input type="checkbox"/> RAL 9016
482F150	<input type="checkbox"/> RAL 9006	55°	<input type="checkbox"/> RAL 7035
482F156	<input type="checkbox"/> RAL 7035	55°	<input type="checkbox"/> RAL 7035
482F157	<input type="checkbox"/> RAL 9016	55°	<input type="checkbox"/> RAL 9016
482F212	<input checked="" type="checkbox"/> blank	55°	<input type="checkbox"/> RAL 7035

Angle gear 430F5..

Universal angle gear for a wide range of applications.

The compact gearbox is available with two or three drives and outputs. Any internal profile can be used as an input or output drive. The die-cast zinc housing is stainless. The durable steel gear wheels are mounted in plastic bushes as standard. A attachment plate with 2 holes (pitch circle \varnothing 51.5 mm) is optionally available.

Made of high-quality materials, very robust and wear-free, they offer the usual GEIGER quality with the greatest possible ease of use.



Angle gear with one drive and one output.

A continuous drive rod makes it possible to drive two Venetian blinds with the same direction of rotation, for example.

Angle gear with one drive and two outputs or two drives and one output.

430F5.. | Angle gear

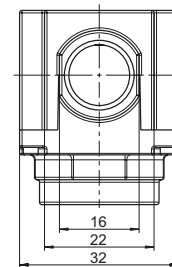
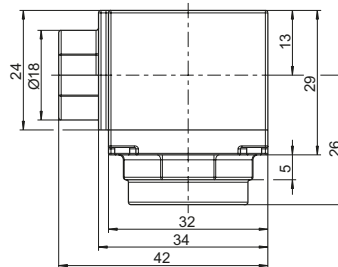
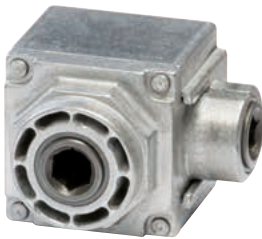
Max. output torque	6 Nm
Transmission	1:1 1.5:1 1:1.5
Efficiency	0.83

Characteristics

- Housing made of die-cast zinc, toothing made of steel
- Bearing points are filled with plastic
- With one drive and one output

Note

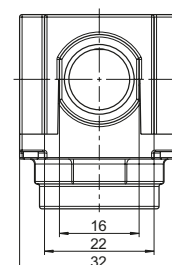
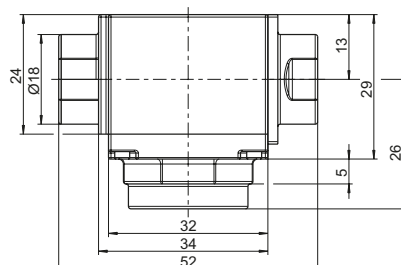
- Other drive/output combinations on request
- Also available as angle gear for emergency operation (max. 10 Nm)



Part no.	Drive/output profile	Transmission	Drive/output(s)
430F550	○ 7 mm	1 : 1	2
430F551	○ 7 mm	1.5 : 1	2
430F552	○ 7 mm	1 : 1.5	2

Characteristics

- As before, but with one drive and two outputs or two drives and one output

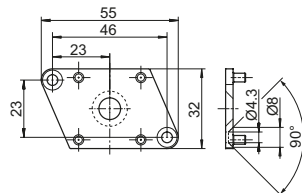
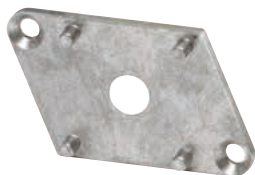


Part no.	Drive/output profile	Transmission	Drive/output(s)
430F553	○ 7 mm	1 : 1	3
430F554	○ 7 mm	1.5 : 1	3
430F555	○ 7 mm	1 : 1.5	3

430F503 | Attachment plate

Characteristics

- Incl. countersunk screw (M6 x 16 mm, galvanised, with screw lock) for fixation to the gearbox
- For horizontal and vertical mounting
- Suitable for 430F5.. angle gears



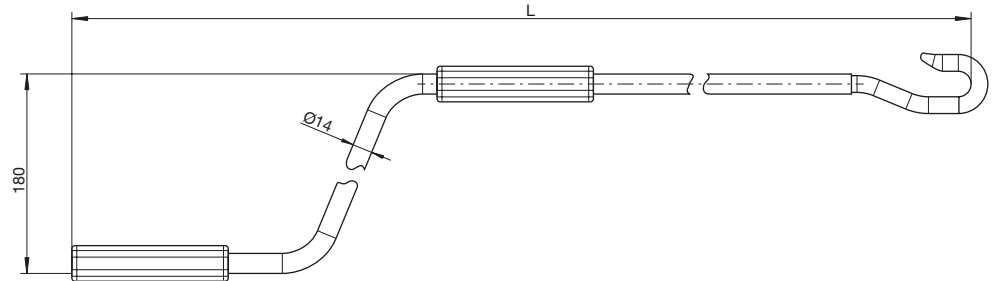
Part no.	
430F503	

511F9.. | Crank handle



Characteristics

- 2-piece rod made of steel (composed of hook and tube)
- Powder-coated (RAL 7035 or RAL 9010)
- Available in various lengths, working radius 180 mm
- One-piece grip sleeves made of high strength plastic matching the crank colour
- The awning crank is fitted with a conventional hook for oval eyelets



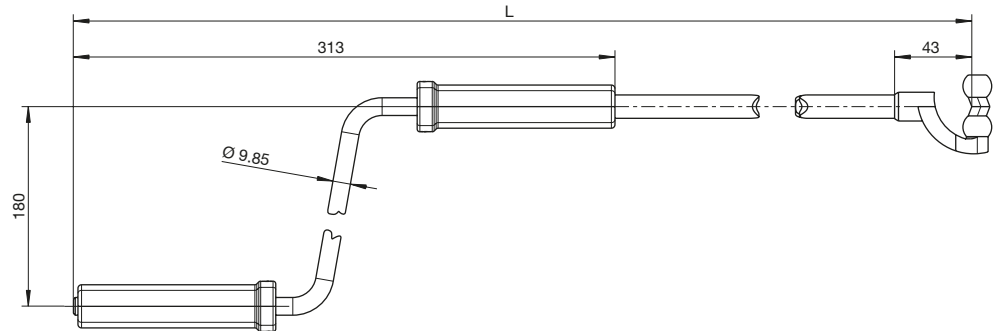
Part no.	Colour	Length [L]	Sleeve type	Sleeve colour
511F950	<input type="checkbox"/> RAL 7035	1000 mm	polygon	<input type="checkbox"/> grey
511F951	<input type="checkbox"/> RAL 7035	1200 mm	polygon	<input type="checkbox"/> grey
511F952	<input type="checkbox"/> RAL 7035	1400 mm	polygon	<input type="checkbox"/> grey
511F953	<input type="checkbox"/> RAL 7035	1600 mm	polygon	<input type="checkbox"/> grey
511F954	<input type="checkbox"/> RAL 7035	1800 mm	polygon	<input type="checkbox"/> grey
511F955	<input type="checkbox"/> RAL 7035	2000 mm	polygon	<input type="checkbox"/> grey
511F957	<input type="checkbox"/> RAL 7035	2400 mm	polygon	<input type="checkbox"/> grey
511F970	<input type="checkbox"/> RAL 9010	1000 mm	polygon	<input type="checkbox"/> white
511F971	<input type="checkbox"/> RAL 9010	1200 mm	polygon	<input type="checkbox"/> white
511F972	<input type="checkbox"/> RAL 9010	1400 mm	polygon	<input type="checkbox"/> white
511F973	<input type="checkbox"/> RAL 9010	1600 mm	polygon	<input type="checkbox"/> white
511F974	<input type="checkbox"/> RAL 9010	1800 mm	polygon	<input type="checkbox"/> white
511F975	<input type="checkbox"/> RAL 9010	2000 mm	polygon	<input type="checkbox"/> white
511F976	<input type="checkbox"/> RAL 9010	2200 mm	polygon	<input type="checkbox"/> white
511F977	<input type="checkbox"/> RAL 9010	2400 mm	polygon	<input type="checkbox"/> white

512F... | Crank handle



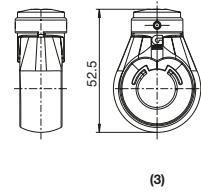
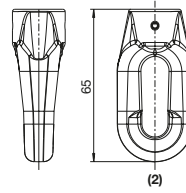
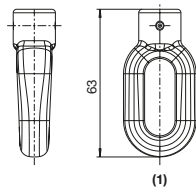
Characteristics

- 3-piece rod made of steel (composed of hook, tube and crank)
- Zinc-plated or powder-coated
- Available in various lengths, working radius 180 mm
- Diecast spherical hook, nickel-plated
- Two-piece grip sleeves made of high strength plastic (black, angular)
- The smart awning crank for round plastic eyelets



Part no.	Colour	Length [L]	Sleeve type	Sleeve colour
512F010	galvanised	1000 mm	2-piece	black
512F011	galvanised	1200 mm	2-piece	black
512F012	galvanised	1400 mm	2-piece	black
512F013	galvanised	1600 mm	2-piece	black
512F014	galvanised	1800 mm	2-piece	black
512F015	galvanised	2000 mm	2-piece	black
512F016	galvanised	2200 mm	2-piece	black
512F230	RAL 9010	1000 mm	2-piece	black
512F231	RAL 9010	1200 mm	2-piece	black
512F232	RAL 9010	1400 mm	2-piece	black
512F233	RAL 9010	1600 mm	2-piece	black
512F234	RAL 9010	1800 mm	2-piece	black
512F235	RAL 9010	2000 mm	2-piece	black
512F236	RAL 9010	2200 mm	2-piece	black
512F250	RAL 7035	1000 mm	2-piece	black
512F251	RAL 7035	1200 mm	2-piece	black
512F252	RAL 7035	1400 mm	2-piece	black
512F253	RAL 7035	1600 mm	2-piece	black
512F254	RAL 7035	1800 mm	2-piece	black
512F255	RAL 7035	2000 mm	2-piece	black
512F256	RAL 7035	2200 mm	2-piece	black

418E2.. | Zinc and plastic eyelets



Oval zinc eyelet (1)

Part no.	Colour	Material	Interior profile	Cross-bore
418K001	☐ blank	■ Zinc	∅ 10 mm	4 mm
418K002	☐ blank	■ Zinc	∅ 12 mm	4 mm
420K003	☐ blank	■ Zinc	∅ 16 mm	4 mm

Oval plastic eyelet with bore ∅ 12 mm (2)

Part no.	Colour	Material	Interior profile	Cross-bore
418E210	☐ RAL 9016	Plastic	∅ 12 mm	4 mm
418E211	■ RAL 9005	Plastic	∅ 12 mm	4 mm
418E212	▒ RAL 7035	Plastic	∅ 12 mm	4 mm

Oval plastic eyelet with interior hexagon (also for ∅ 10 mm) (2)

Part no.	Colour	Material	Interior profile	Cross-bore
418E230	☐ RAL 9016	Plastic	○ 10 mm	4 mm
418E231	■ RAL 9005	Plastic	○ 10 mm	4 mm
418E232	▒ RAL 7035	Plastic	○ 10 mm	4 mm

Round plastic eyelet with bore ∅ 12 mm (3)

Part no.	Colour	Material	Interior profile	Cross-bore
418E110	☐ RAL 9016	Plastic	∅ 12 mm	4.1 mm
418E111	■ RAL 9005	Plastic	∅ 12 mm	4.1 mm
418E112	▒ RAL 7035	Plastic	∅ 12 mm	4.1 mm

Round plastic eyelet with interior hexagon (also for ∅ 10 mm) (3)

Part no.	Colour	Material	Interior profile	Cross-bore
418E130	☐ RAL 9016	Plastic	○ 10 mm	4.1 mm
418E131	■ RAL 9005	Plastic	○ 10 mm	4.1 mm
418E132	▒ RAL 7035	Plastic	○ 10 mm	4.1 mm

Round plastic eyelet with interior hexagon 7 mm (3)

Part no.	Colour	Material	Interior profile	Cross-bore
418E170	☐ RAL 9016	Plastic	○ 7 mm	3 mm
418E171	■ RAL 9005	Plastic	○ 7 mm	3 mm
418E172	▒ RAL 7035	Plastic	○ 7 mm	3 mm

Round plastic eyelet for angle adjustment gear (3)

Part no.	Colour	Material	Interior profile	Cross-bore
418E140	☐ RAL 9016	Plastic	○ 10 mm	3 mm
418E141	■ RAL 9005	Plastic	○ 10 mm	3 mm
418E142	▒ RAL 7035	Plastic	○ 10 mm	3 mm

418E18. | Safety ring for plastic eyelets



Characteristics

- To secure the plastic eyelet through easy rotation (together with locking pin 418E120)

Part no.	Colour
418E180	<input type="checkbox"/> RAL 9016
418E181	<input checked="" type="checkbox"/> RAL 9005
418E182	<input type="checkbox"/> RAL 7035

418E120 | Driver pin for plastic eyelets



Characteristics

- To secure the plastic eyelet into the drive shaft (only applicable with safety ring 418E18.)

Part no.	Material	Outside-Ø	Length	Surface
418E120	Stainless steel	4 mm	22 mm	<input checked="" type="checkbox"/> blank

506N418-1 | Spiral pin



Characteristics

- To secure the tube connection

Part no.	Material	Outside-Ø	Length	Surface
506N418-1	Steel	4 mm	18 mm	<input type="checkbox"/> galvanised

Gerhard Geiger GmbH & Co. KG
Schleifmühle 6 | D-74321 Bietigheim-Bissingen
T +49 (0) 7142 9380 | F +49 (0) 7142 938 230
info@geiger.de | www.geiger.de

GEIGER
ANTRIEBSTECHNIK